

Inquiry Order for drive shaft
 Express-delivery



Please indicate the measurements of the drive shaft and mark the needed connection. We will make a costfree quotation.

Please indicate if you know the Elbe-Item-no., item no. of the competitor or original-no. of the manufacturer of the vehicle or machine.

No.: _____
 Name manufacturer: _____

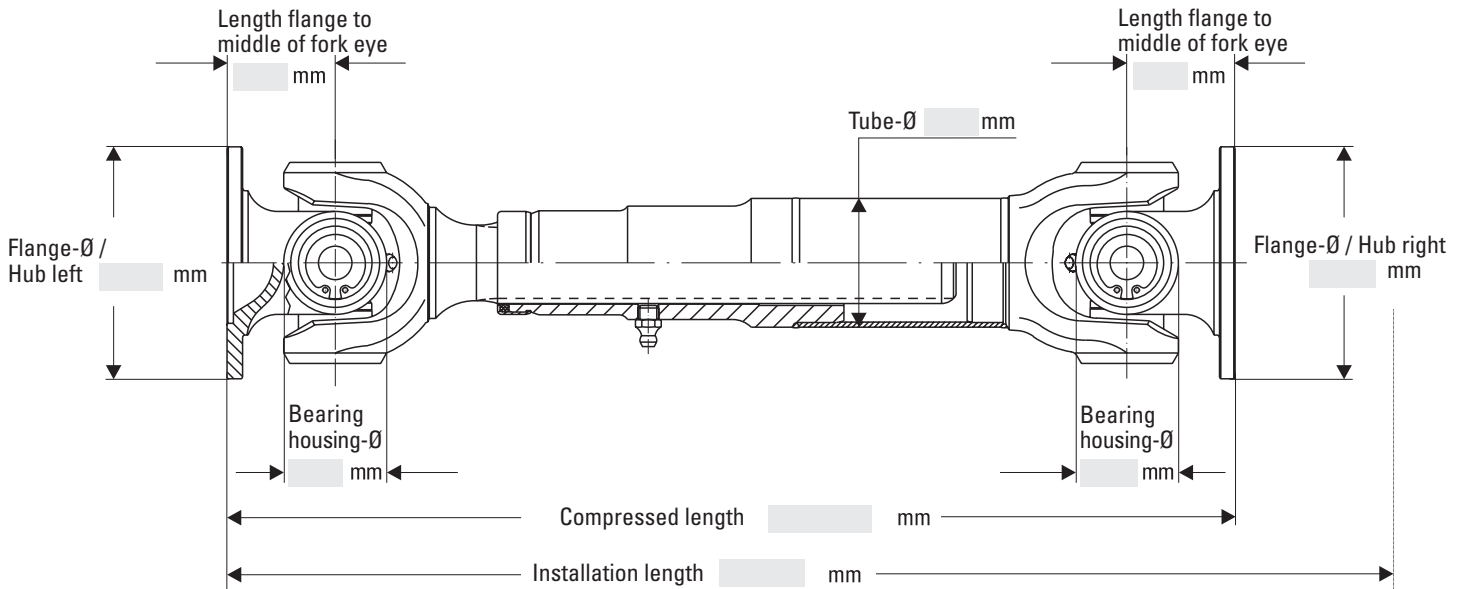
Mark/Address

Contact: _____

E-Mail: _____

Phone: _____

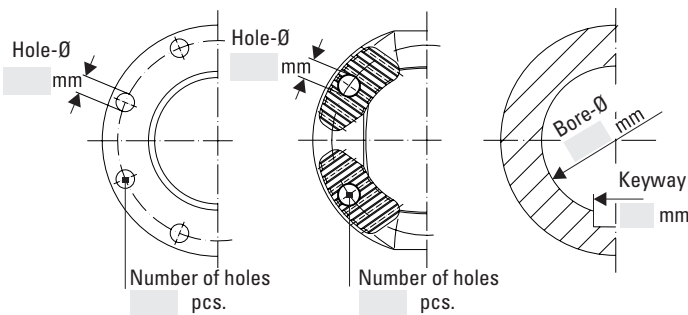
Fax: _____



Grease nipple: On cross body On bearing housing (= external lubrication) On extension

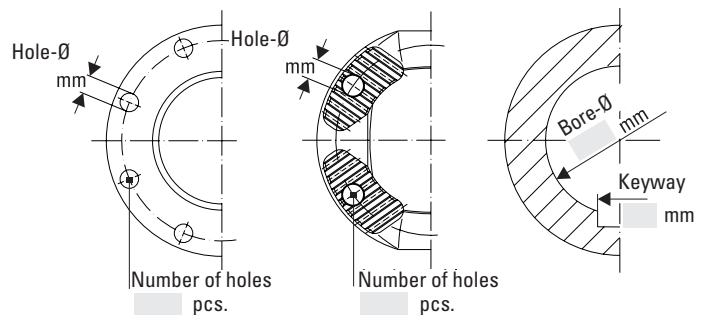
Connection left

DIN-Flange Flange cross serrated Hub



Connection right

DIN-Flange Flange cross serrated Hub



Quantity / Application

Quantity: _____ pcs

Operating speed: _____ n (Upm)

Application/Vehicle: _____